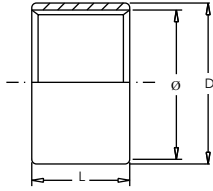
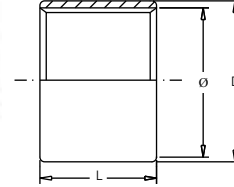


**ART. 101** MANICOTTO FEMMINA



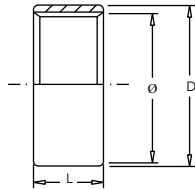
Ø	D	L
1/8"	14	18
1/4"	18	20
3/8"	22	21
1/2"	26	25
3/4"	32	30
1"	40	34
1 1/4"	48	36
1 1/2"	56	38
2"	67	42
2 1/2"	84	48
3"	97	50
3 1/2"	117	55
4"	124	60
5"	150	70
6"	190	90

**ART. 102** MANICOTTO FEMMINA LUNGO



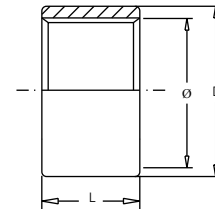
Ø	D	L
1/4"	18	25
3/8"	22	26
1/2"	27	34
3/4"	32	36
1"	40	43
1 1/4"	48	48
1 1/2"	56	48
2"	68	56
2 1/2"	84	65
3"	97	71
4"	124	83
5"	150	92

**ART. 103** MEZZO MANICOTTO



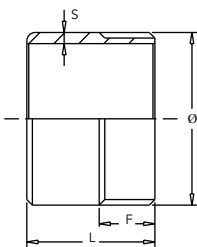
Ø	D	L
1/4"	18	10
1/4"	18	13
3/8"	22	10
1/2"	27	10
1/2"	27	12.5
1/2"	27	15
1/2"	27	20
3/4"	32	15
3/4"	32	20
1"	40	17
1"	40	20-25
1 1/4"	48	20
1 1/2"	56	20
2"	67	20-25

**ART. 104** MANICOTTO DI GROSSO SPESSORE



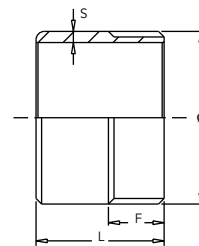
Ø	D	L
1/2"	28	25
1 1/4"	50	36
1 1/2"	60	38
2"	71	42
2 1/2"	89	48
3"	100	50
3 1/2"	116	55
4"	130	60
5"	160	70-92

**ART. 105** TRONCHETTO ELETTRONITO



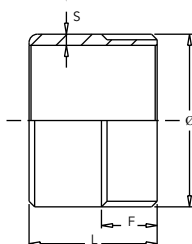
Ø	S	L	F
1/8"	2	20	10
1/4"	2	25	12
3/8"	2	25	12
1/2"	2,5	30	15
3/4"	3	30	15
1"	3	35	17
1 1/4"	3	38	18
1 1/2"	3	40	20
2"	3,5	45	22
2 1/2"	4	50	23
3"	4	55	26
3 1/2"	5	60	28
4"	5	60	28

**ART. 106** TRONCHETTO SENZA SALDATURA



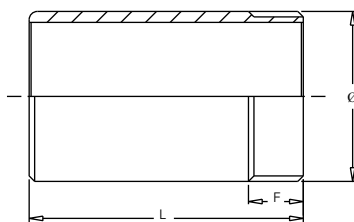
Ø	S	L	F
1/8"	2	20	10
1/4"	2,23	25	12
3/8"	2,31	25	12
1/2"	2,77	30	15
3/4"	2,87	30	15
1"	3,38	35	17
1 1/4"	3,56	38	18
1 1/2"	3,68	40	20
2"	3,91	45	22
2 1/2"	3,60	50	23
3"	5,49	55	26
3 1/2"	5,71	60	28
4"	6,02	60	28
5"	6,55	70	30
6"	7,11	80	35

**ART. 107** TRONCHETTO ELETTRONITO LUNGO



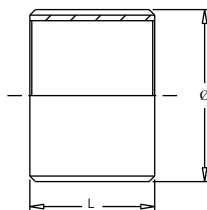
Ø	S	L	F
1/8"	2	30	10
1/4"	2	30-50	12
3/8"	2	30	12
1/2"	2,5	35-50-70-200	15
3/4"	3	40-50-70-75	15
1"	3	40-50-75-150	17
1 1/4"	3	50	18
1 1/2"	3	50-75-80	20
2"	3,5	50	22
2 1/4"	4	60	23
3"	4	70	26
4"	5	80	28

**ART. 108** TRONCHETTO LUNGO mm. 100



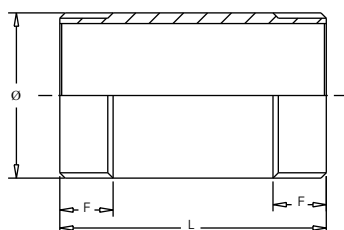
Ø	L	F
1/4"	100	12
3/8"	100	12
1/2"	100	15
3/4"	100	15
1"	100	17
1 1/4"	100	18
1 1/2"	100	20
2"	100	22
2 1/2"	100	23
3"	100	26
4"	100	28

**ART. 109** TRONCHETTO TUTTO FILETTO / NIPPLO DA TUBO



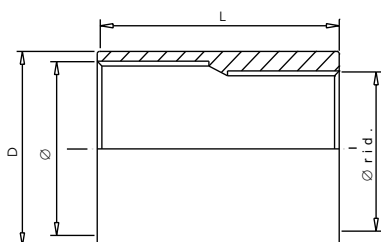
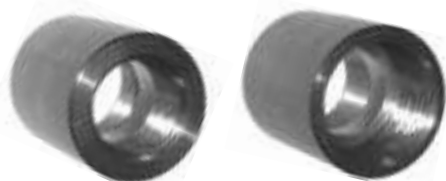
Ø	L
1/8"	20
1/4"	25
3/8"	25
1/2"	30
3/4"	30
1"	35
1 1/4"	38
1 1/2"	40
2"	45
2 1/2"	55
3"	60
4"	70

**ART. 110** TRONCHETTO DOPPIO / NIPPLO DA TUBO LUNGO mm. 100



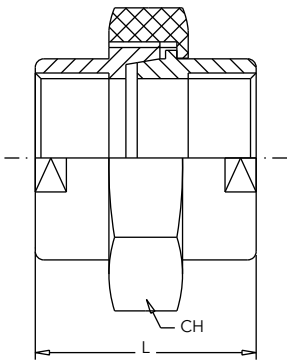
Ø	L	F
1/4"	30-100	12
3/8"	40-100	12
1/2"	60-80-100-150-200	15
3/4"	60-100-150-200	15
1"	60-100	17
1 1/4"	80-100	18
1 1/2"	80-100	20
2"	100	22
2 1/2"	100	23
3"	100	26
4"	100-150	28

**ART. 111** MANICOTTO RIDOTTO



Ø	Riduzioni	Ø1	Ø2	L
1/4"	1/8"	18	-	30
3/8"	1/4" - 1/8"	22	18	30
1/2"	3/8" - 1/4"	27	22	36
3/4"	1/2"	32	27	42
1"	3/4" - 1 1/2"	40	32	46
1 1/4"	1" - 3/4"	49	40	50
1 1/2"	1 1/4" - 1"	58	49	52
2"	1 1/2" - 1 1/4"	70	58	59

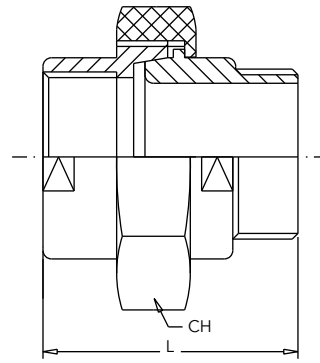
**ART. 112** BOCCHETTONE FEMMINA-FEMMINA



Ø	L	CH
1/8"	41	32
1/4"	41	32
3/8"	43	36
1/2"	46	46
3/4"	52	50
1"	56	55
1 1/4"	62	70
1 1/2"	65	75
2"	75	90
2 1/2"	83	110*
3"	98	125
4"	98	145*

\*NB= 2 PIANI FRESATI

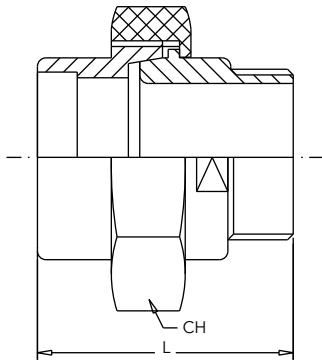
**ART. 113** BOCCHETTONE MASCHIO-FEMMINA



Ø	L	CH
1/8"	50	32
1/4"	50	32
3/8"	57	36
1/2"	60	46
3/4"	60	50
1"	69	55
1 1/4"	75	70
1 1/2"	80	75
2"	90	90
2 1/2"	103	110*
3"	126	125

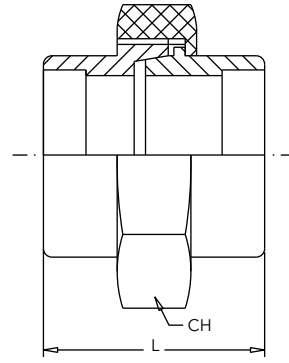
\*NB= 2 PIANI FRESATI

**ART. 114** BOCCHETTONE TASCA A SALDARE  
FILETTO MASCHIO



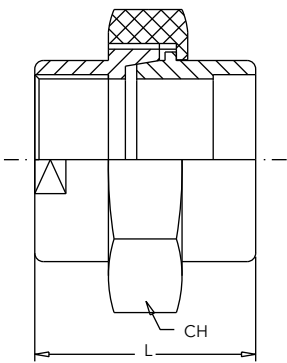
Ø	L	CH
1/8"	50	32
1/4"	50	32
3/8"	57	36
1/2"	60	46
3/4"	60	50
1"	69	55
1 1/4"	75	70
1 1/2"	80	75
2"	90	90

**ART. 115** BOCCHETTONE TASCA A SALDARE



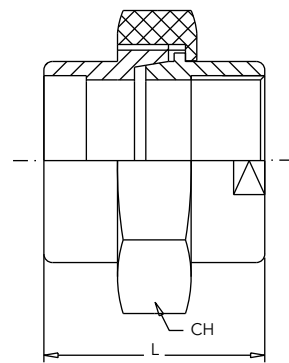
Ø	L	CH
1/8"	41	32
1/4"	41	32
3/8"	43	36
1/2"	46	46
3/4"	52	50
1"	56	55
1 1/4"	62	70
1 1/2"	65	75
2"	75	90

**ART. 116** BOCCHETTONE FILETTO FEMMINA  
TASCA A SALDARE



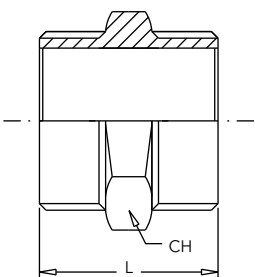
Ø	L	CH
1/8"	41	32
1/4"	41	32
3/8"	43	36
1/2"	46	46
3/4"	52	50
1"	56	55
1 1/4"	62	70
1 1/2"	65	75
2"	75	90

**ART. 117** BOCCHETTONE TASCA A SALDARE  
FILETTO FEMMINA



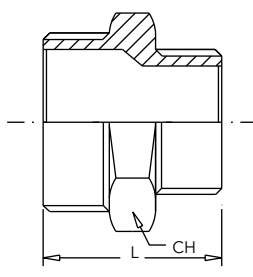
Ø	L	CH
1/8"	41	32
1/4"	41	32
3/8"	43	36
1/2"	46	46
3/4"	52	50
1"	56	55
1 1/4"	62	70
1 1/2"	65	75
2"	75	90

**ART. 118** NIPPLO ESAGONALE



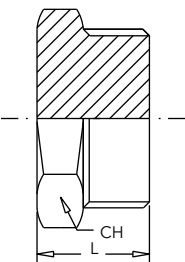
Ø	L	CH
1/8"	28	13
1/4"	30	15
3/8"	34	19
1/2"	38	24
3/4"	43	30
1"	46	36
1 1/4"	50	46
1 1/2"	58	50
2"	60	65
2 1/2"	70	80
3"	80	95
4"	90	125

**ART. 119** NIPPLO RIDOTTO



Ø1 ÷ Ø2	L	CH
1/4" ÷ 1/8"	29	15
3/8" ÷ 1/4"	33	19
1/2" ÷ 3/8"	36	24
3/4" ÷ 1/2"	42	30
1" ÷ 3/4"	45	36
1 1/4" ÷ 1"	49	46
1 1/2" ÷ 1 1/4"	54	50
2" ÷ 1 1/2"	59	65

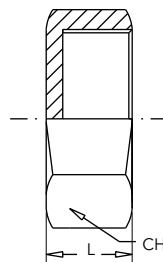
ART. 120 TAPPO MASCHIO



Ø	L	CH
1/8"	20	13
1/4"	20	15
3/8"	22	19
1/2"	23	24
3/4"	26	30
1"	30	36
1 1/4"	30	46
1 1/2"	35	50
2"	36	65
2 1/2"	44	80*
3"	50	95*
4"	55	120*

\* 2 PIANI FRESATI

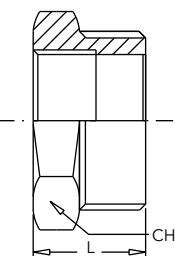
ART. 121 TAPPO FEMMINA



Ø	L	CH
1/8"	14	13
1/4"	16	15
3/8"	17	19
1/2"	19	24
3/4"	20	30
1"	22	36
1 1/4"	25	46
1 1/2"	29	50
2"	29	65
2 1/2"	32	80*
3"	33	95*
4"	38	120*

\*NB= 2 PIANI FRESATI

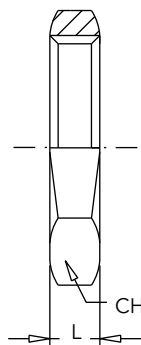
ART. 122 RIDUZIONE MASCHIO - FEMMINA



ØM ÷ ØF	L	CH
1/4" ÷ 1/8"	20	15
3/8" ÷ 1/4" 3/8" ÷ 1/8"	22	19
1/2" ÷ 3/8" 1/2" ÷ 1/4"	23	24
3/4" ÷ 1/2" 3/4" ÷ 3/8"	26	30
1" ÷ 3/4" 1" ÷ 1/2"	30	36
1 1/4" ÷ 1" 1 1/4" ÷ 3/4"	30	46
1 1/2" ÷ 1 1/4" 1 1/2" ÷ 1"	35	50
2" ÷ 1 1/2" 2" ÷ 1 1/4"	36	65
2 1/2" ÷ 2" 2 1/2" ÷ 1 1/2"	44	80*
3" ÷ 2 1/2" 3" ÷ 2"	50	95*
4" ÷ 3" 4" ÷ 2 1/2"	55	120*

\*NB= 2 PIANI FRESATI

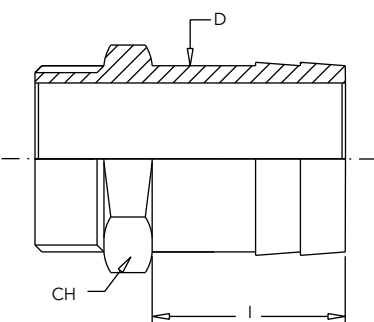
ART. 124 CONTRODADO



Ø	L	CH
1/4"	6	19
3/8"	7	27
1/2"	8	30
3/4"	9	36
1"	10	46
1 1/4"	11	50
1 1/2"	12	60/65
2"	13	70
2 1/2"	14	90
3"	15	104*

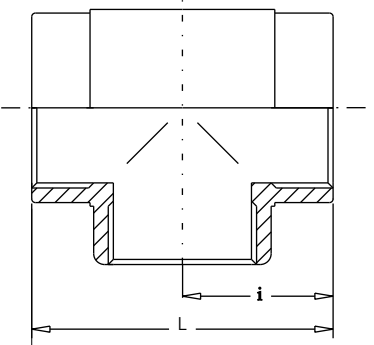
\*NB= 2 PIANI FRESATI

ART. 123 PORTAGOMMA MASCHIO



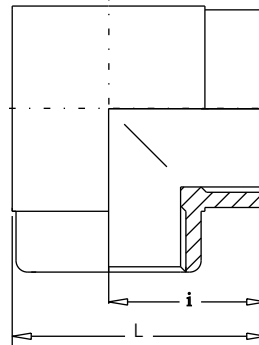
Ø	I	CH	D	L
1/8"	22	13	10	40
1/4"	24	15	14	45
3/8"	28	19	17	50
1/2"	32	24	21	55
3/4"	36	30	27	62
1"	36	36	30/33	66
1 1/4"	40	46	42	75
1 1/2"	48	50	48	85
2"	60	65	60	100
2 1/2"	64	80	75	110
3"	67	95	88	115
4"	70	120	113	125

ART. 125 PEZZO A "T"



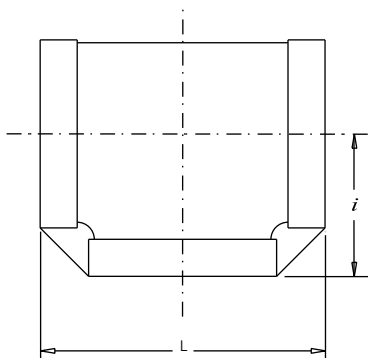
Ø	L	i
1/8"	34	25
1/4"	40	30
3/8"	44	35
1/2"	50	40
3/4"	63	50
1"	68	54
1 1/4"	88	70
1 1/2"	96	78
2"	110	90

ART. 126 GOMITO A 90°



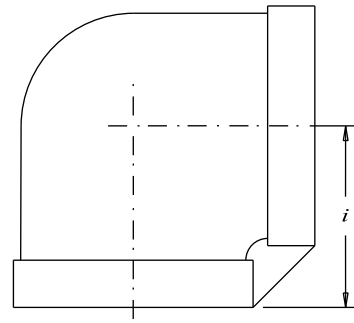
Ø	L	i
1/8"	25	17
1/4"	30	20
3/8"	35	22
1/2"	40	25
3/4"	50	32
1"	54	34
1 1/4"	70	44
1 1/2"	78	48
2"	90	55

ART. 127 PEZZO A "T"



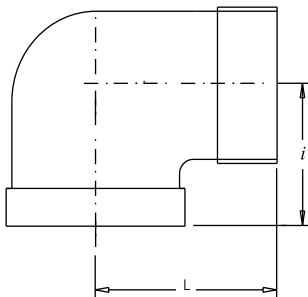
Ø	L	i
1/8"	33	16,5
1/4"	39	19,5
3/8"	48	24
1/2"	56	28
3/4"	66	33
1"	76	38
1 1/4"	88	44
1 1/2"	98	49
2"	114	57
2 1/2"	138	69
3"	158	79
4"	206	103

ART. 128 GOMITO A 90°



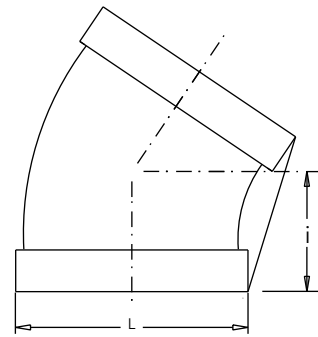
Ø	i
1/8"	16,5
1/4"	19,5
3/8"	24
1/2"	28
3/4"	33
1"	38
1 1/4"	44
1 1/2"	49
2"	57
2 1/2"	69
3"	79
4"	103

ART. 129 GOMITO A 90° MASCHIO - FEMMINA



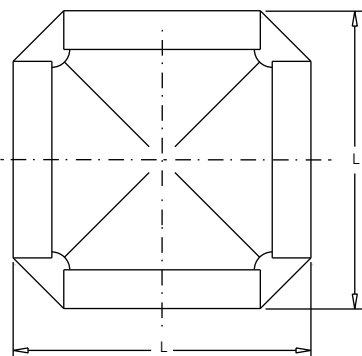
Ø	L	i
1/8"	26	16,5
1/4"	30	15,5
3/8"	36	24
1/2"	41	28
3/4"	49	33
1"	55	38
1 1/4"	62	44
1 1/2"	67	49
2"	76	57
2 1/2"	86	67
3"	97	77
4"	118	94

ART. 130 GOMITO A 45°



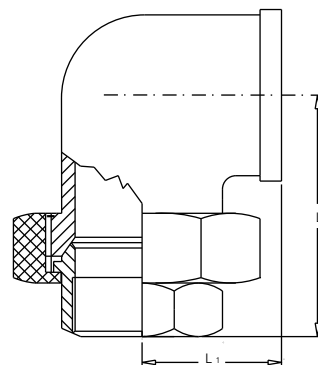
Ø	D	i
1/8"	17	18
1/4"	22	19
3/8"	24	21
1/2"	30	22
3/4"	37	25
1"	45	24
1 1/4"	55	34
1 1/2"	62	37
2"	76	43
2 1/2"	91	49
3"	109	54

ART. 131 CROCE



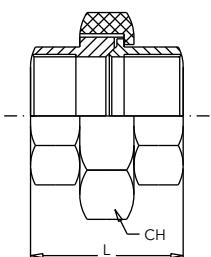
Ø	L
1/8"	-
1/4"	41
3/8"	48
1/2"	56
3/4"	66
1"	76
1 1/4"	90
1 1/2"	99
2"	115
2 1/2"	138

ART. 132 BOCCHETTONE A GOMITO FEMMINA FEMMINA



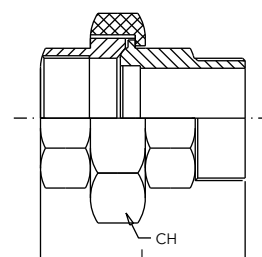
Ø	L	L1
1/4"	38	20
3/8"	45	24
1/2"	52	28
1 1/2"	81	49
2"	96	57

ART. 133 BOCCHETTONE FEMMINA - FEMMINA



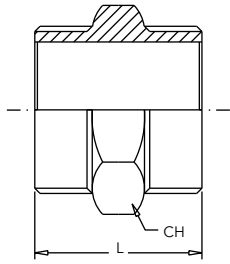
Ø	L	CH
1/8"	33	30
1/4"	33	30
3/8"	36	34
1/2"	41	40
3/4"	44	47
1"	50	58
1 1/4"	56	67
1 1/2"	60	72
2"	73	87
2 1/2"	73,8	108
3"	81	121,5
4"	91,8	152,5

ART. 134 BOCCHETTONE MASCHIO- FEMMINA



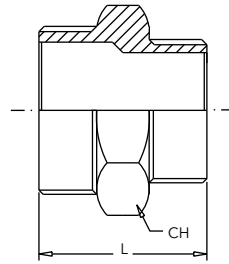
Ø	L	CH
1/8"	44	29
1/4"	48	30
3/8"	55	34
1/2"	62	39
3/4"	67	47
1"	72	54
1 1/4"	84	63
1 1/2"	90	71
2"	98	82
2 1/2"	94	106
3"	113	121
4"	118	152

**ART. 135** NIPPOLO ESAGONALE



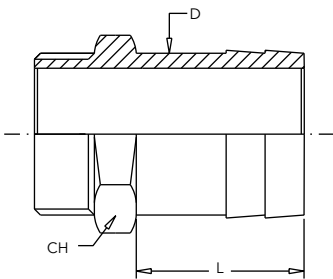
Ø	L	CH
1/8"	33	15
1/4"	33	15
3/8"	35	20
1/2"	42	23
3/4"	47	30
1"	51	36
1 1/4"	58	46
1 1/2"	61	51
2"	68	63
2 1/2"	76	82
3"	83	95
4"	92	117

**ART. 136** NIPPOLO RIDOTTO



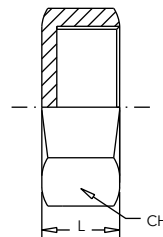
Ø1 ÷ Ø2	L	Ø1 ÷ Ø2	L
1/4" ÷ 1/8"	28	1 1/2" ÷ 1"	54
3/8" ÷ 1/4"	35	1 1/2" ÷ 3/4"	58
1/2" ÷ 3/8"	41	2" ÷ 3/4"	56
1/2" ÷ 1/4"	40	2" ÷ 1"	58
3/4" ÷ 1/4"	44	2" ÷ 1/4"	60
3/4" ÷ 3/8"	45	2" ÷ 1/2"	61
3/4" ÷ 1/2"	46	2 1/2" ÷ 1 1/2"	73
1" ÷ 1/4"	44	2 1/2" ÷ 1 1/2"	75
1" ÷ 3/8"	46	2 1/2" ÷ 2"	75
1" ÷ 1/2"	50	3" ÷ 1 1/2"	75
1" ÷ 3/4"	50	3" ÷ 2"	77
1 1/4" ÷ 1/2"	50	3" ÷ 2 1/2"	80
1 1/4" ÷ 3/4"	51	4" ÷ 2"	95
1 1/4" ÷ 1"	52	4" ÷ 2 1/2"	95,5
1 1/2" ÷ 1/2"	52	4" ÷ 3"	94,7
1 1/2" ÷ 3/4"	54		

**ART. 137** PORTAGOMMA MASCHIO



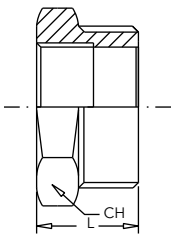
Ø	D
1/8"	7
1/4"	9
3/8"	11
1/2"	15
3/4"	20,5
1"	27
1 1/4"	33
1 1/2"	39,5
2"	52
2 1/2"	65
3"	78
4"	103

**ART. 138** TAPPO FEMMINA



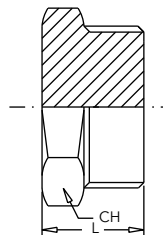
Ø	L	CH
1/8"	14,8	16
1/4"	15	15
3/8"	16	18,5
1/2"	19,7	25,5
3/4"	22	31
1"	24,5	38
1 1/4"	27	46
1 1/2"	30	53,5
2"	29	65
2 1/2"	30,5	80
3"	35	94
4"	43	121

**ART. 139** RIDUZIONE MASCHIO - FEMMINA



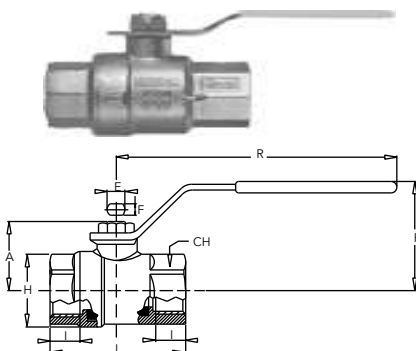
ØM ÷ ØF	L	CH
1/4" ÷ 1/8"	19	15
3/8" ÷ 1/4"	22	19
1/2" ÷ 3/8"	23	24
3/4" ÷ 1/2"	26	30
1" ÷ 3/4"	30	36
1 1/4" ÷ 1"	30	46
1 1/2" ÷ 1 1/4"	35	50
2" ÷ 1 1/2"	36	65
2 1/2" ÷ 2"	44	80
3" ÷ 2 1/2"	50	95
4" ÷ 3"	55	120

**ART. 140** TAPPO MASCHIO



Ø	L	CH
1/8"	15	14
1/4"	17	17
3/8"	19	18
1/2"	21	23
3/4"	25,5	30
1"	27	36
1 1/4"	31	44
1 1/2"	31	50
2 1/2"	44	63
3"	44,5	91,5

**ART. 180** VALVOLA A SFERA F/F



DN	A	H	L	R	CH	I	E	F	P	PN
1/4"	27	29	51	110,5	ES.22	10	8	5	43,5	64
3/8"	27	29	51	110,5	ES.22	10	8	5	43,5	64
1/2"	30	32,5	59	110,5	ES.27	13	8	5	46,5	64
3/4"	36,7	40	70	131,5	ES.32	14	10	7	53,5	40
1"	40,7	49	79	131,5	ES.41	17	10	7	57,5	40
1 1/4"	49,7	62	81	174,5	ES.50	19	12	8	67,25	25
1 1/2"	56,5	75	103	174,5	ES.55	19,5	12	8	74	25
2"	65,7	95	124	174,5	ES.70	22,5	12	8	83,25	25